



Flush-mount LCD multimeters. expandable DMG800 Three-phase + neutral

Product designation

Product type designation

Type

Auxiliary supply Us

Auxiliary rated supply voltage AC	VAC	100...440
Auxiliary rated supply voltage DC	VDC	110...250
Auxiliary operating voltage range		
AC	min VAC	90
	Max VAC	484
DC	min VDC	93.5
	Max VDC	300

Operational frequency	min Hz	45
	max Hz	66

Power consumption	Max VA	3.9
-------------------	--------	-----

Power dissipation Max	W	3.4
-----------------------	---	-----

Measuring voltage inputs

Rated voltage (Ue)	phase-phase VAC	690
	phase-neutral VAC	400

Operating voltage range	phase-phase VAC	20...830
	phase-neutral VAC	10...480

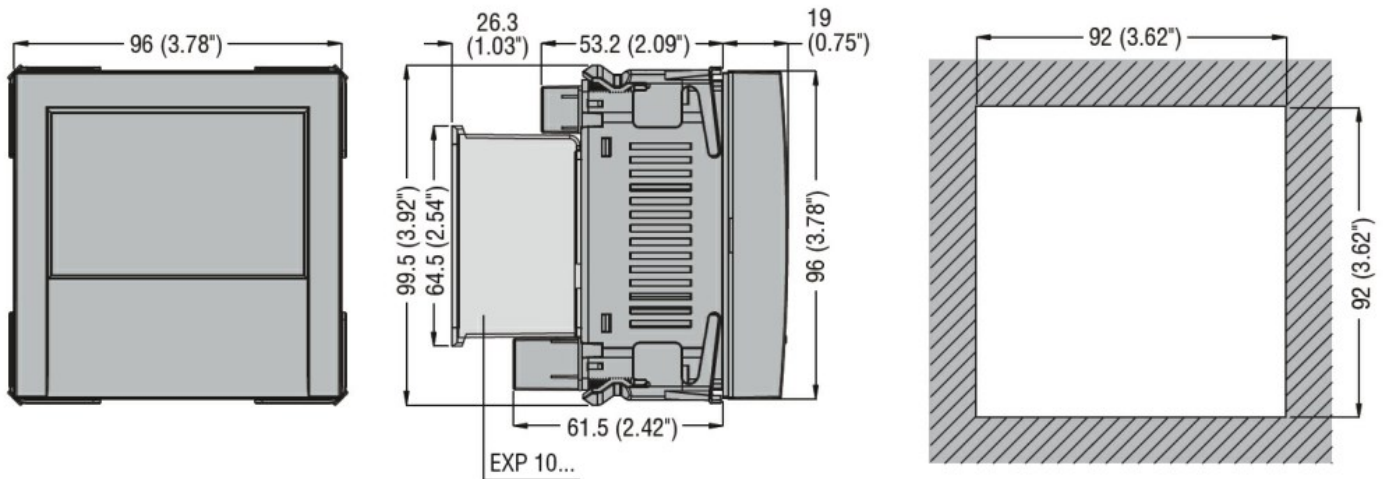
Voltage inputs operational frequency	min Hz	45
	max Hz	66

Voltage inputs measurement method	True RMS
Connection method	Single. two. three-phase with or without neutral. balanced three-phase system

Current inputs

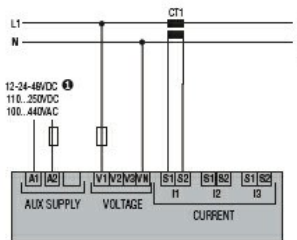
Rated current (Ie)	A	1A/5A
Measurement range		0.01...1.2 / 0.01...6
Measurement method		TRMS
Overload capacity		+20% Ie by external CT with 5A secondary

Overload peak		A	50A for 1s
Accuracy			
Measurement conditions (T +23°C ±1°C / Rel. Humidity 45 ±15% R.H.)			
	VLN voltage		±0.2%
	VLL voltage		±0.2%
	current		±0.2%
	frequency		±0.05%
	active power		±0.5% f.s.
	active energy		Class 0.5s (IEC/EN/BS 62053-22)
	reactive energy		Class 2 (IEC/EN 62053-23)
Insulations			
Rated insulation voltage Ui IEC/EN		V	690
Rated impulse withstand voltage Uimp		kV	9.5
Operating frequency withstand voltage		kV	5.2
Mechanical features			
Housing type			Polyamide
Terminals type			Removable
Conductor cross section			
	min	mm ²	0.2
	Max	mm ²	2.5
	min	AWG	24
	Max	AWG	12
Tightening torque (Max)			
		Nm	0.5
		lbin	4.5
Fixing			Flush-mounting
Weight		g	510
Ambient conditions			
Temperature			
	Operating temperature		
		min	°C -20
		max	°C +60
	Storage temperature		
		min	°C -30
		max	°C +80
Relative humidity		%	<90
Maximum Pollution degree			2
Protection degree			IP65
Dimensions			

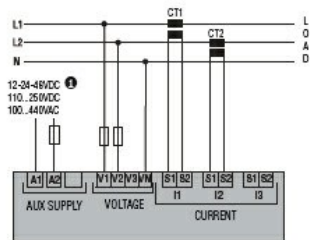


Wiring diagrams

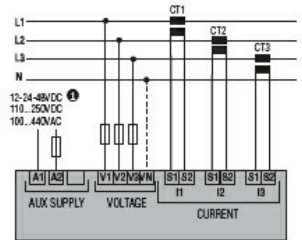
MULTIMETERS
Single-phase



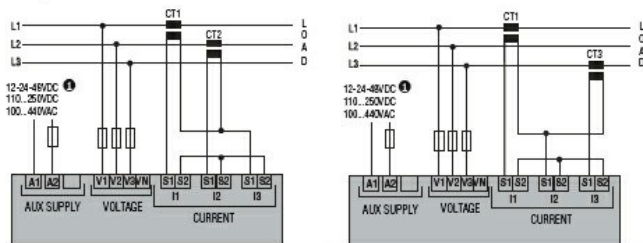
Two-phase



Three-phase with or without neutral



Three-phase without neutral in ARON connection



Certifications and compliance

Compliance

- CSA C22.2 n°14
- IEC/EN 61000-6-2
- IEC/EN 61000-6-4
- IEC/EN 61010-1
- UL508

Certificates

- cULus
- EAC
- GOST
- RCM

ETIM classification

ETIM 8.0

EC002301 -
Multifunction
measuring
instrument